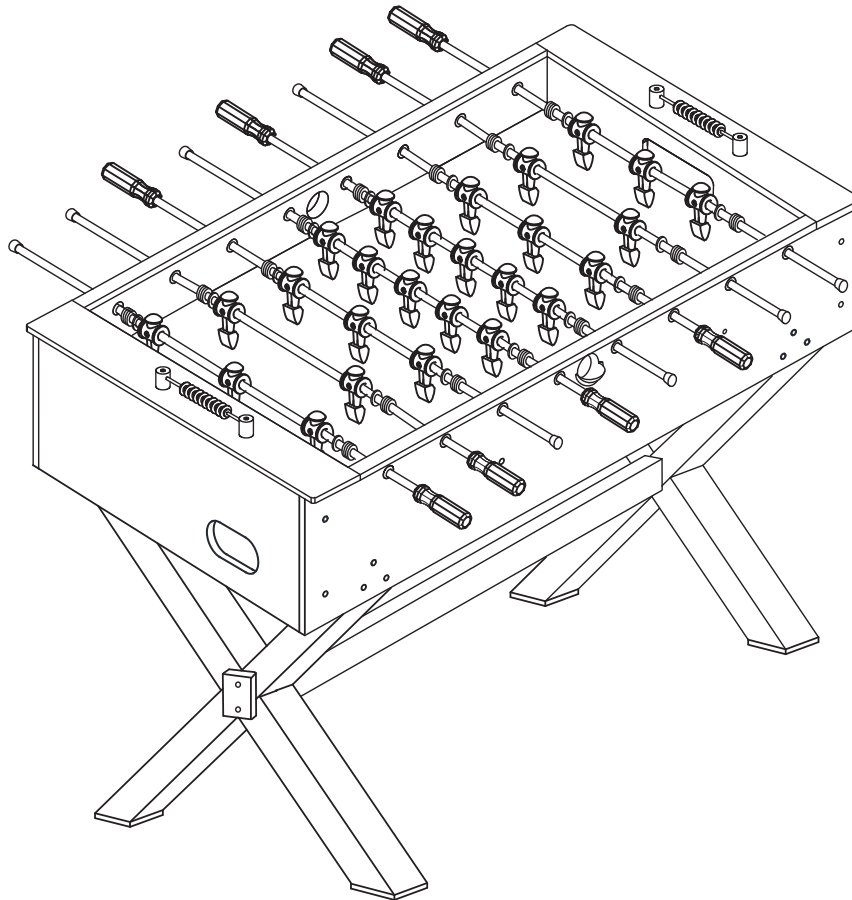




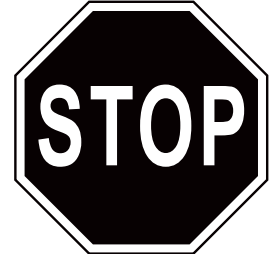
**KICK Constable 55"**  
(Brown/Black)  
FOOSBALL TABLE  
ASSEMBLY INSTRUCTIONS



FY502

# Assembly Instructions

**WARNING: TWO ADULTS ARE NEEDED TO ASSEMBLE THE SOCCER TABLE**



## Official Website of KICK Foosball Tables



IF YOUR TABLE HAS DAMAGES, MISSING PARTS, OR YOU ARE NOT **100%** SATISFIED PLEASE CONTACT **KICK, NOT THE RESELLER.**

← SCAN THIS QR CODE TO CONTACT US IF YOU FACE ANY ISSUES.

FOR THE LATEST INSTRUCTION MANUALS, VIDEOS, TABLE ASSEMBLY INFO, DIFFERENT GOALIE SETUPS, PLAYER TYPES, AND OTHER HELPFUL TIPS - PLEASE VISIT THE LINK BELOW OR SCAN THIS QR CODE →

[www.KICKFoosballTables.com/Instructions/](http://www.KICKFoosballTables.com/Instructions/)



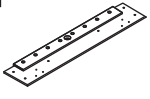
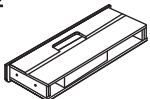
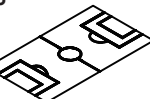
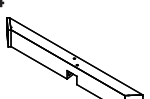

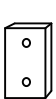



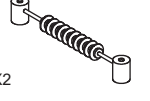
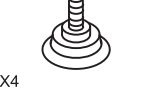
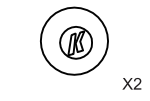




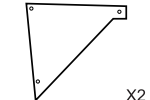
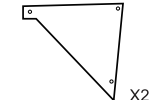
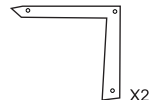


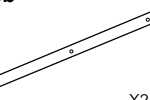
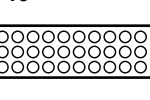
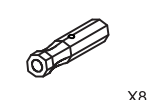






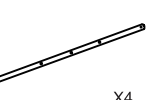

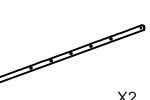
### **CONTACT INFORMATION:**

**Email:** Support@KICKFoosballTables.com  
**Website:** www.KICKFoosballTables.com  
**Phone:** 1 (866) 844-KICK (5425) or (210) 664-8934




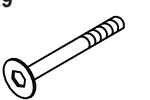



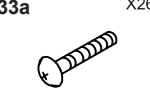
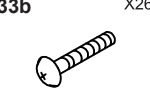
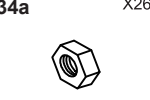
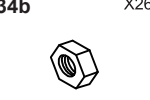



### **MAILING ADDRESS:**

KICK Sports  
PO Box 790311  
San Antonio, Texas 78279

# PARTS LIST

<b>1</b>  X2 SIDE PANEL	<b>2</b>  X2 END PANEL	<b>3</b>  X1 PLAYFIELD	<b>4</b>  X4 LEG	<b>5</b>  X1 CROSS BAR	<b>6</b>  X2 TIFFENING LEG BLOCK	<b>7</b>  X16 ROD WASHER
<b>8</b>  X3 SUPPORT BRACE	<b>9</b>  X3 SUPPORT ROD	<b>10</b>  X2 SLIDE SCORER	<b>11</b>  X4 LEG LEVELER	<b>12A</b>  X2 SOCCER BALL	<b>12B</b>  X2 SOCCER BALL	<b>12C</b>  X2 SOCCER BALL
<b>13</b>  X2 BALL ENTRY CUP	<b>14</b>  X4 STOP RING	<b>1a</b>  X2 TRIANGLE a	<b>1b</b>  X2 TRIANGLE b	<b>2a</b>  X2 L STYLE PLASTIC a	<b>2b</b>  X2 L STYLE PLASTIC b	<b>3a</b>  X2 LONG PLASTIC a
<b>3b</b>  X2 LONG PLASTIC b	<b>P13</b> 1 SET  SCREW COVERS (to cover the hole of the screws S1)	<b>15</b>  X8 ROD HANDLE	<b>16</b>  X8 ROD END CAP	<b>17</b>  X16 ROD BUMPER	<b>22a</b>  X13 PLAYER	<b>22b</b>  X13 PLAYER
<b>22c</b>  X13 PLAYER	<b>22d</b>  X13 PLAYER	<b>23</b>  X4 3 PLAYER ROD	<b>24</b>  X2 2 PLAYER ROD	<b>25</b>  X2 5 PLAYER ROD		

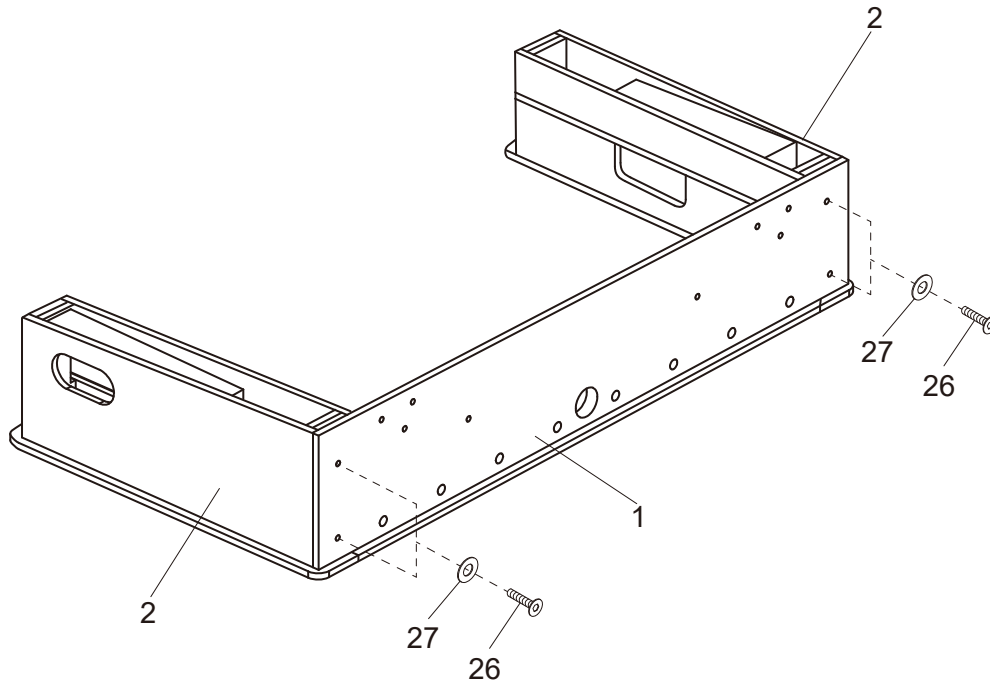
# HARDWARE

<b>26</b> X8  5/16"x2" BOLT	<b>27</b> X24  5/16" WASHER	<b>28</b> X12  5/16" x 1-1/2" BOLT	<b>29</b> X4  5/16"x 6-1/2" BOLT	<b>30</b> X6  1/4" NUT	<b>31</b> X4  1/8"x2" SCREWS	<b>32</b> X8  1/8"x3/4" SCREWS
<b>33a</b> X26  5/32" x 1-1/8" BOLT	<b>33b</b> X26  5/32" x 1-1/8" BOLT	<b>34a</b> X26  5/32" NUT	<b>34b</b> X26  5/32" NUT	<b>35</b> X2  1/8"x1/2" SCREWS	<b>36</b> X2  ALLEN WRENCH	<b>S1</b> X36  1/2" FLAT HEAD SCREWS

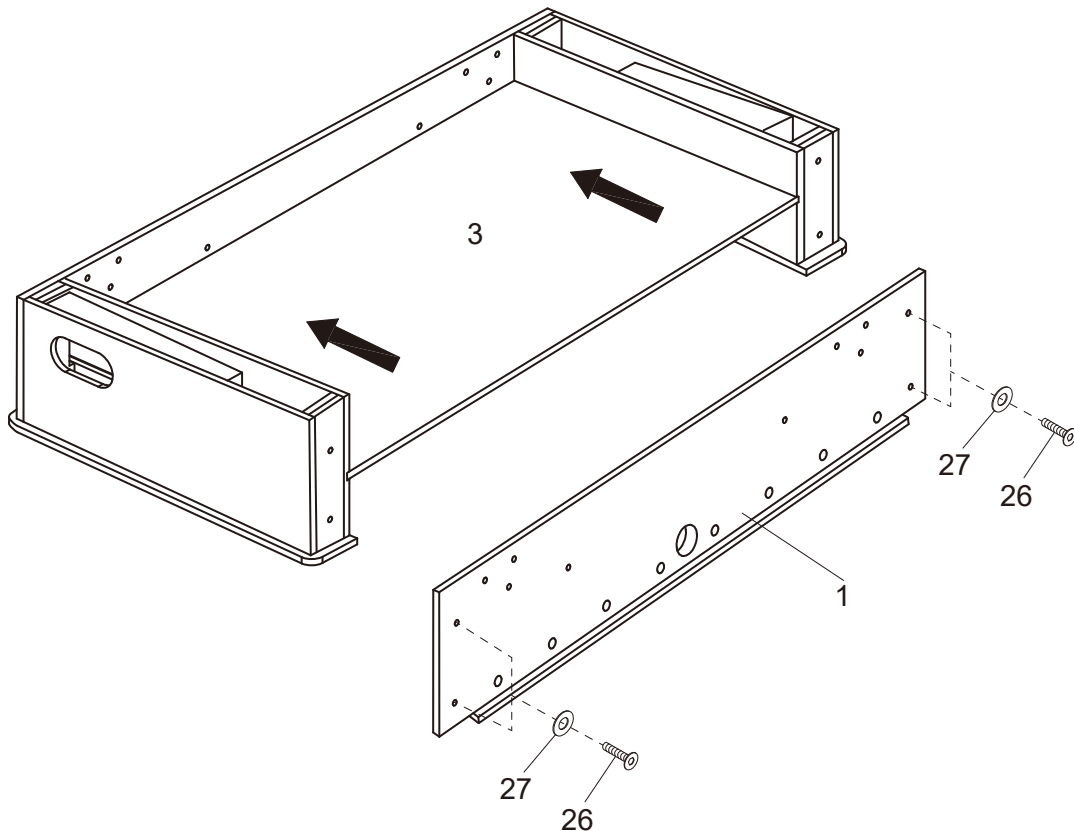
# Assembly Instructions

WARNING: TWO ADULTS ARE NEEDED TO ASSEMBLE THE SOCCER TABLE

## STEP 1



## STEP 2

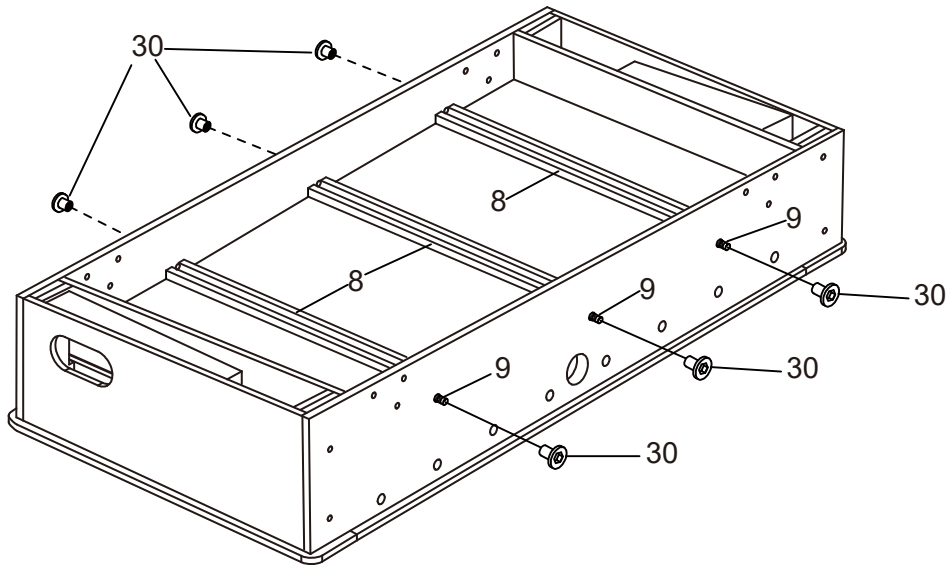


3

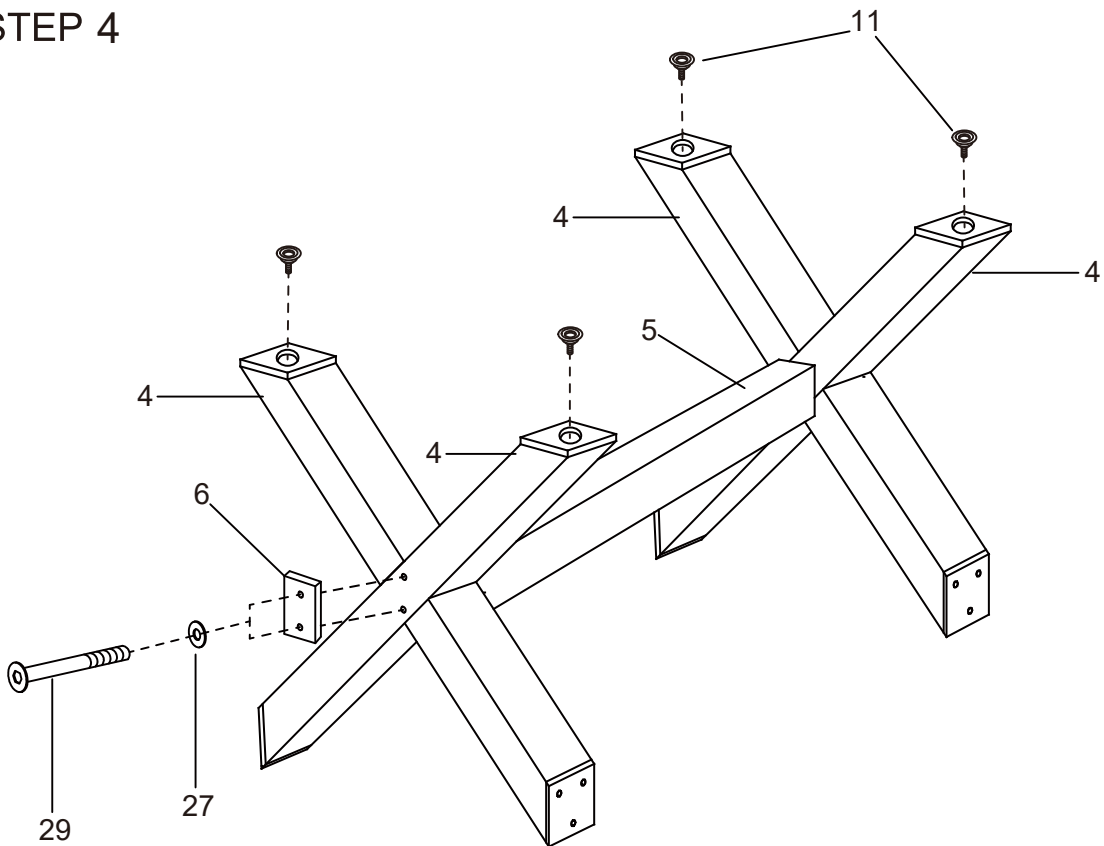
# Assembly Instructions

WARNING: TWO ADULTS ARE NEEDED TO ASSEMBLE THE SOCCER TABLE

## STEP 3



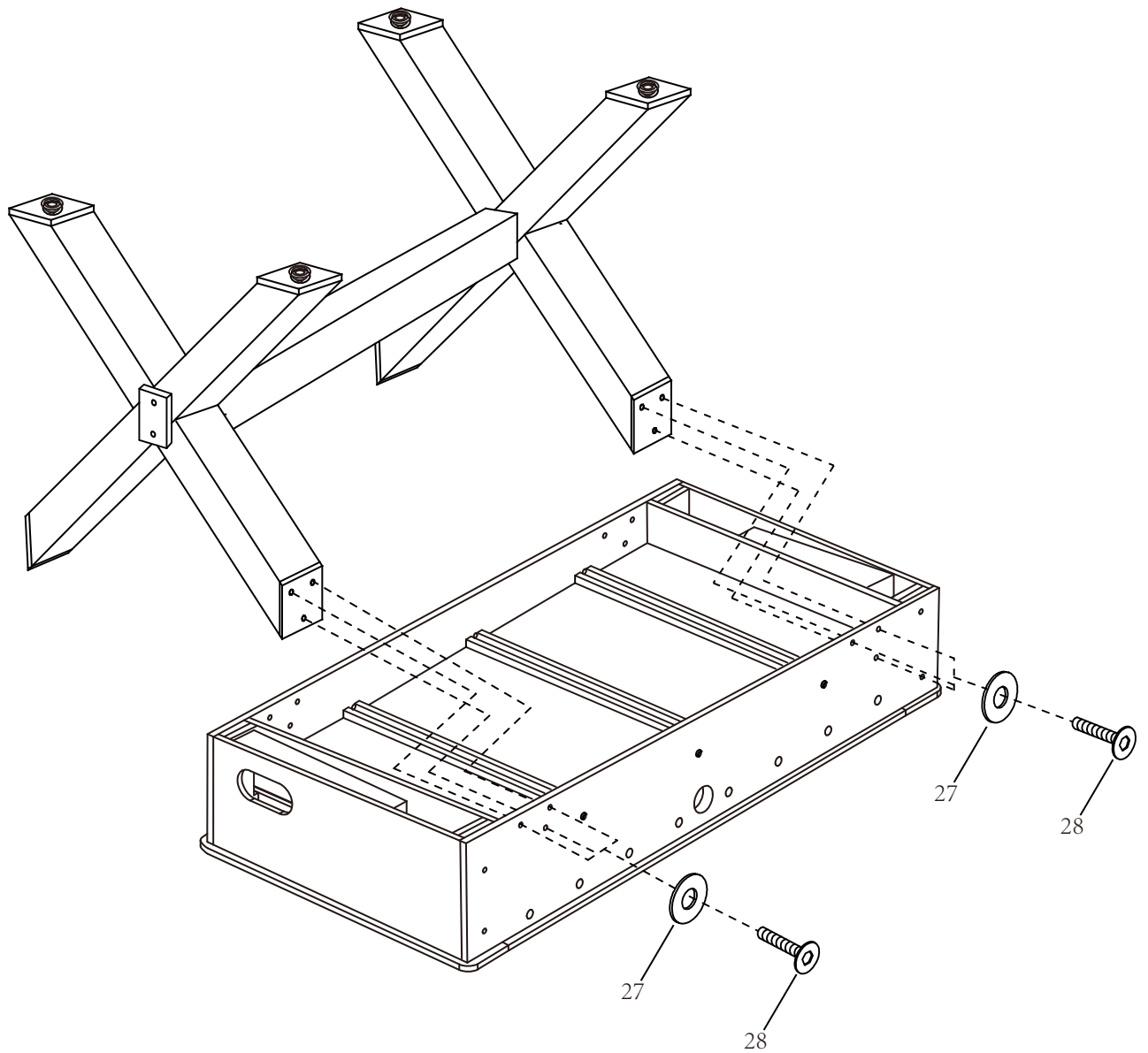
## STEP 4



# Assembly Instructions

WARNING: TWO ADULTS ARE NEEDED TO ASSEMBLE THE SOCCER TABLE

## STEP 5

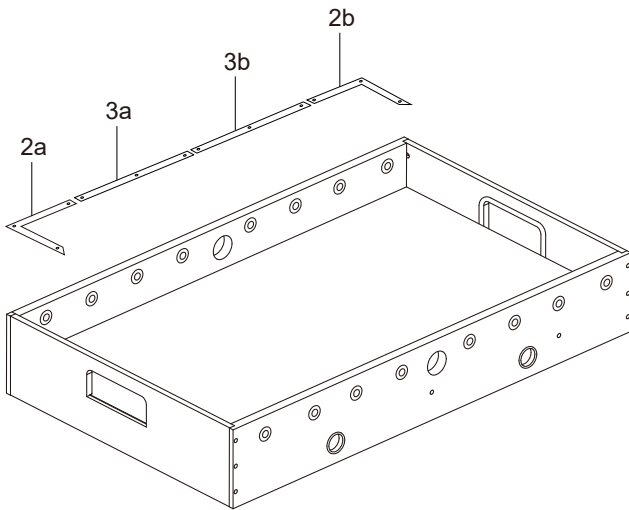


# Assembly Instructions

**WARNING: TWO ADULTS ARE NEEDED TO ASSEMBLE THE SOCCER TABLE**

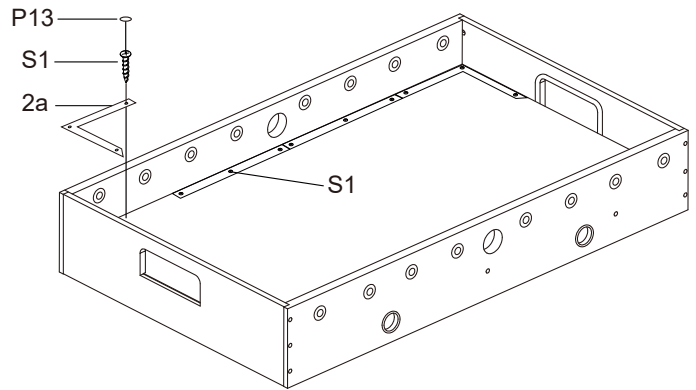
## STEP 6A

Steps 6A to 6E are optional if you want.



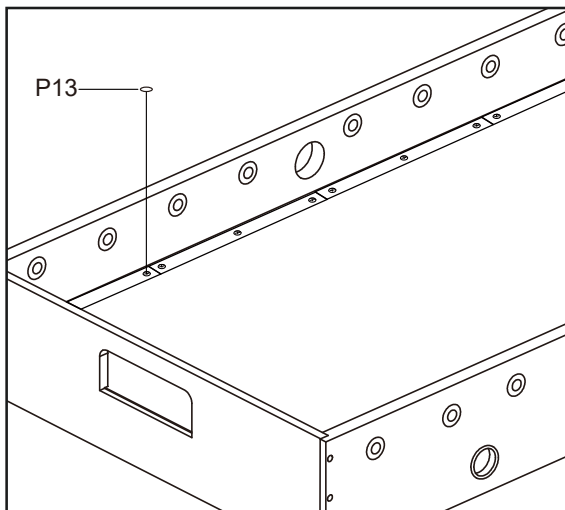
## STEP 6B

Attach the plastic 2a, 2b, 3a, 3b to the playing field with S1.

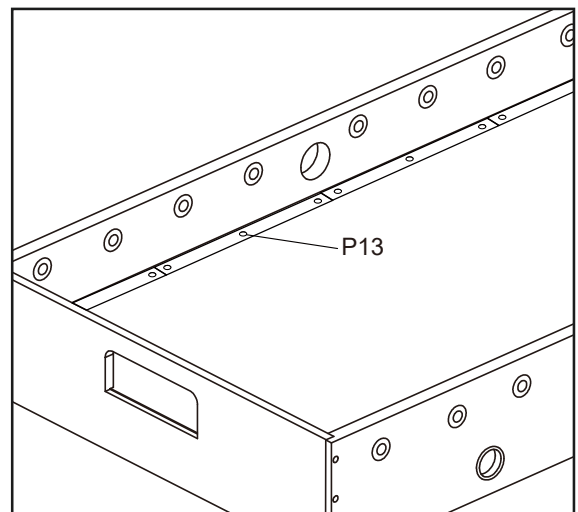


## STEP 6C

Cover the Screw Hole Cap P13 to the screw hole.



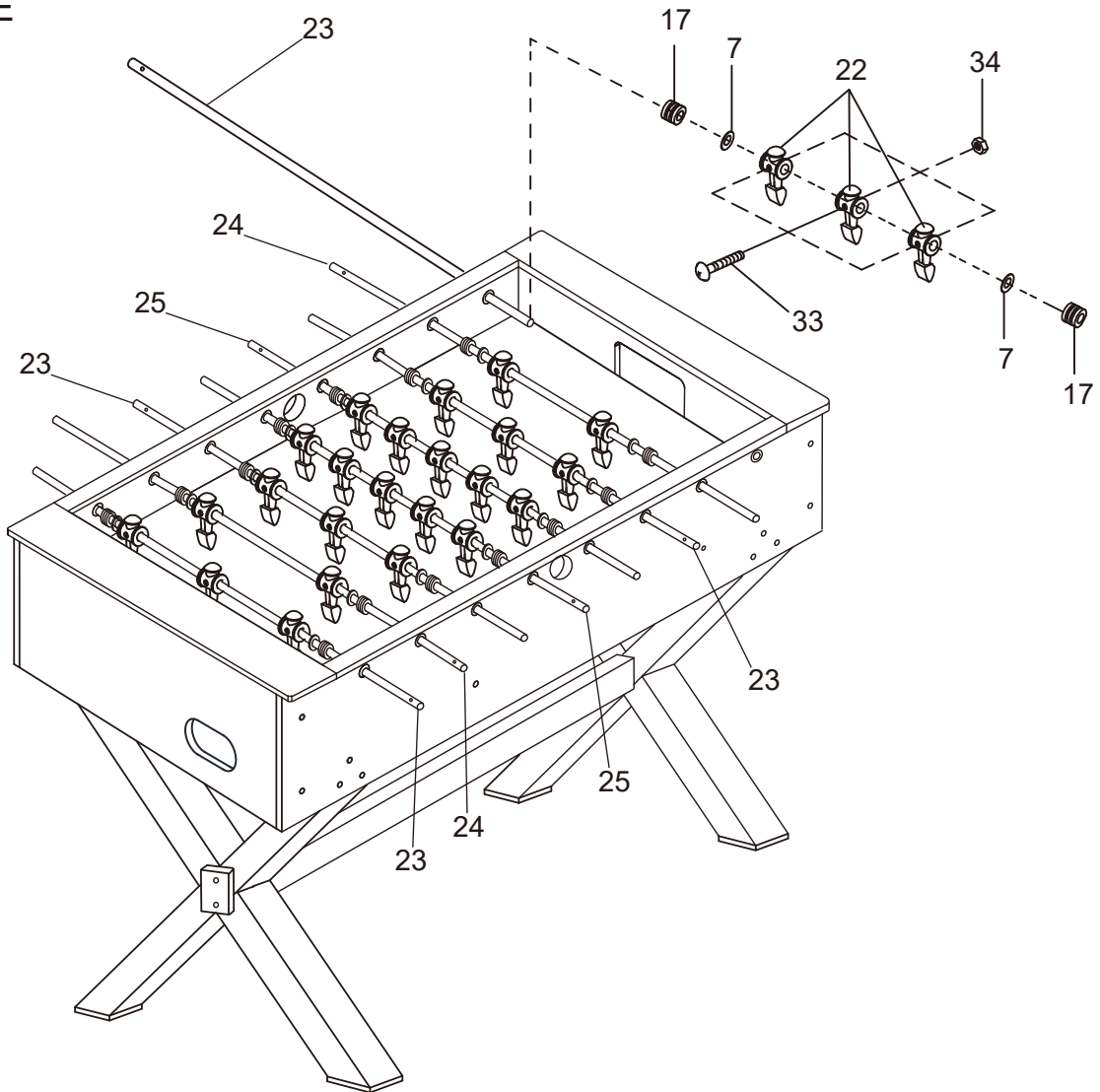
## STEP 6D



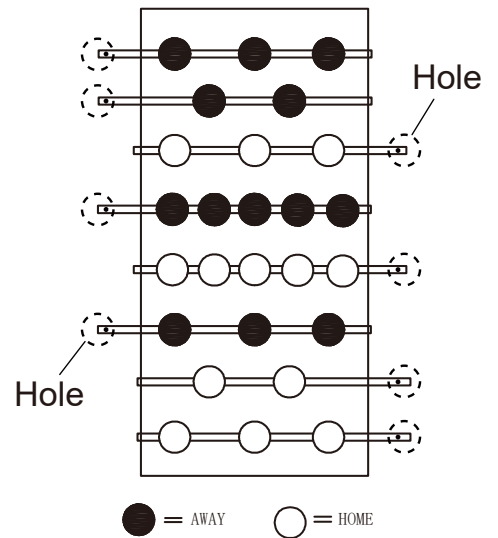
# Assembly Instructions

**WARNING: TWO ADULTS ARE NEEDED TO ASSEMBLE THE SOCCER TABLE**

## STEP 6E



*Insert the rod end part way through one side panel, and then place the rest of the parts needed on each rod, in the order shown, before inserting through the other side panel.*



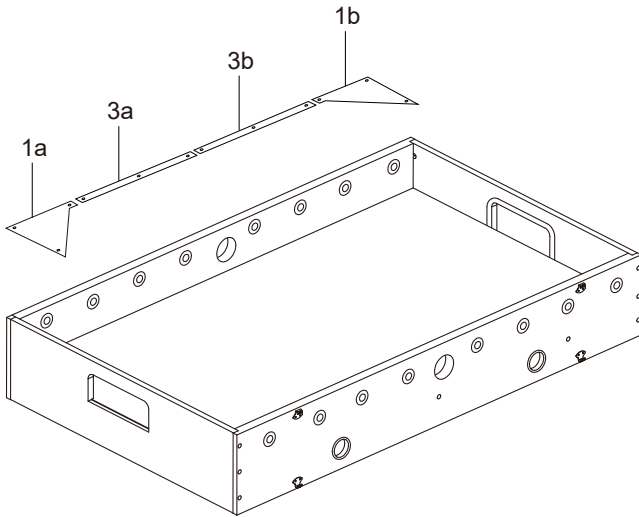


# Assembly Instructions

**WARNING: TWO ADULTS ARE NEEDED TO ASSEMBLE THE SOCCER TABLE**

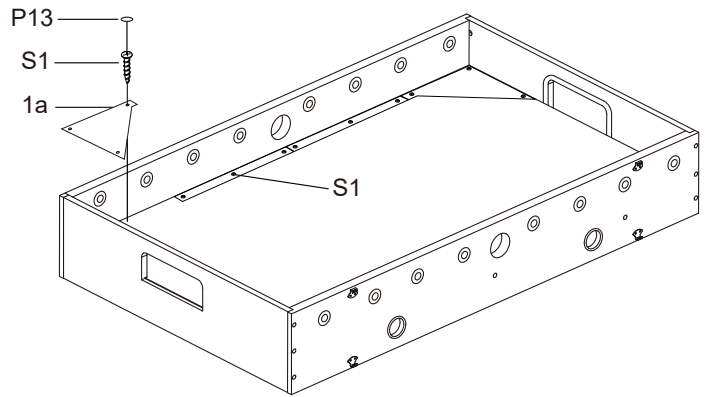
## STEP 7A

Steps 7A to 7E are optional if you want.



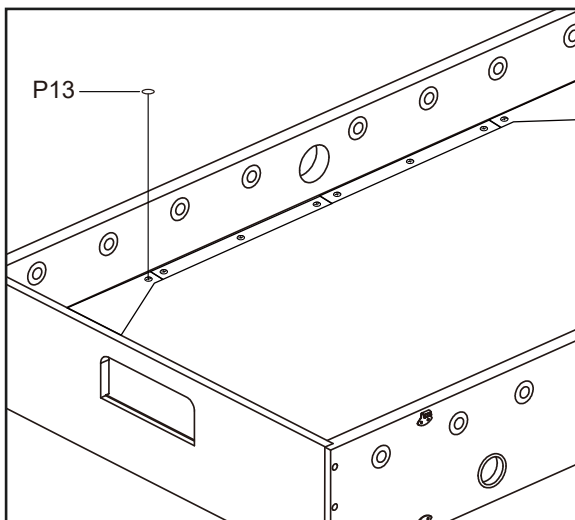
## STEP 7B

Attach the plastic 1a, 1b, 3a, 3b to the playing field with S1.

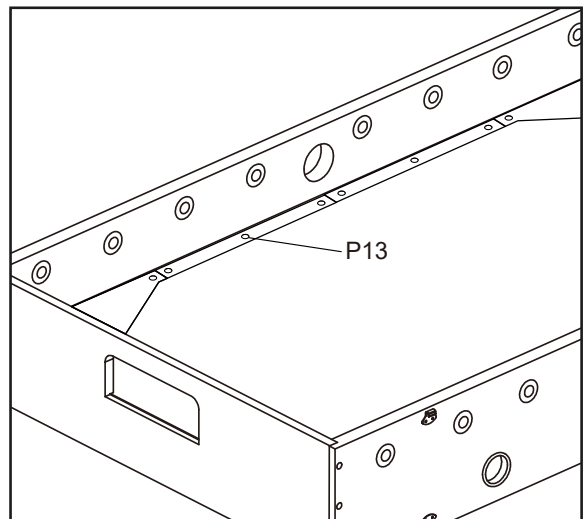


## STEP 7C

Cover the Screw Hole Cap P13 to the screw hole.



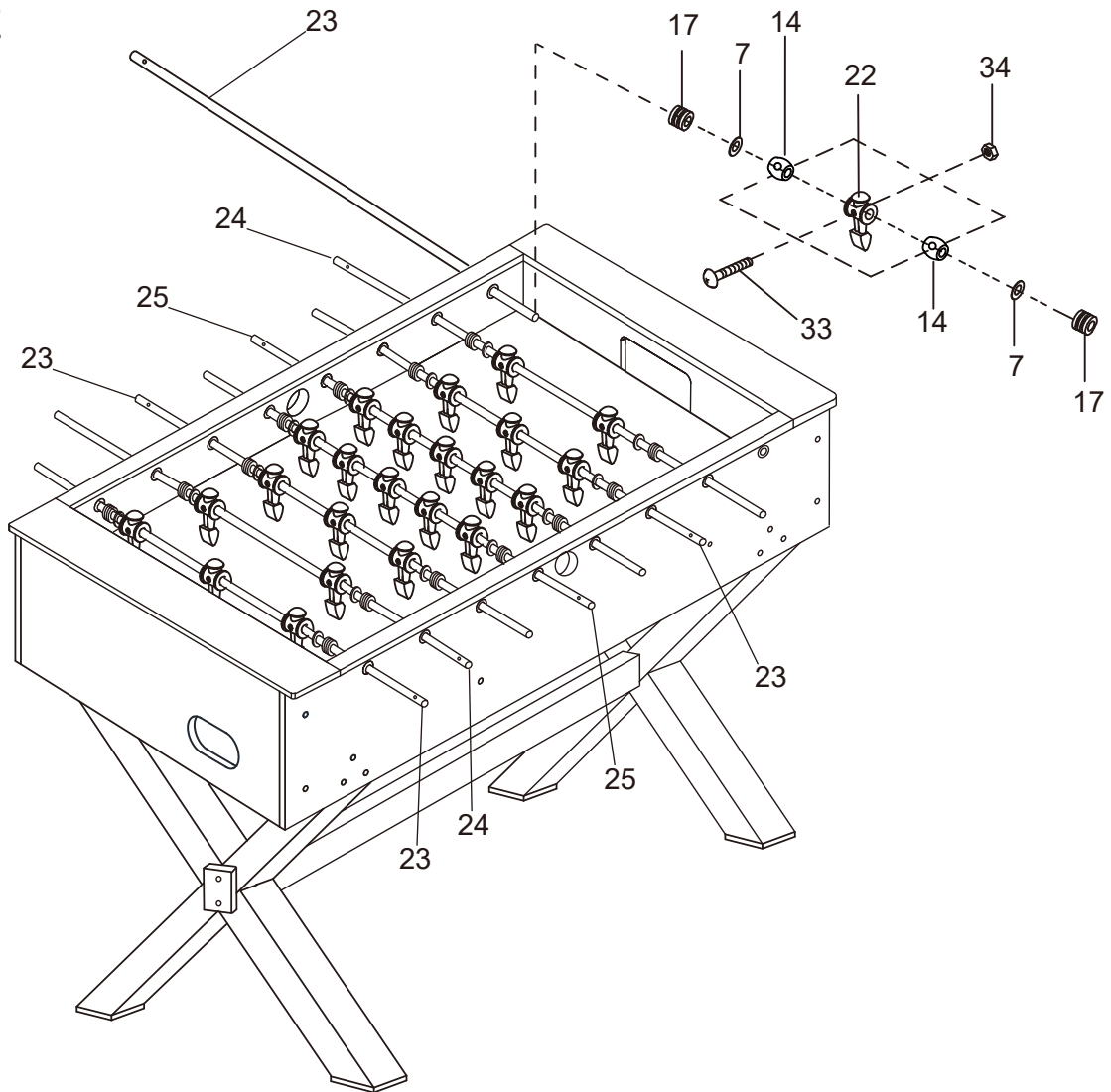
## STEP 7D



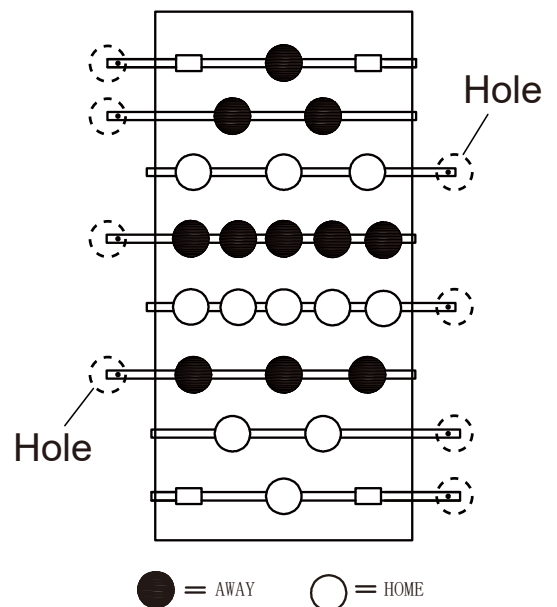
# Assembly Instructions

**WARNING: TWO ADULTS ARE NEEDED TO ASSEMBLE THE SOCCER TABLE**

## STEP 7E



*Insert the rod end part way through one side panel, and then place the rest of the parts needed on each rod, in the order shown, before inserting through the other side panel.*



# Assembly Instructions

WARNING: TWO ADULTS ARE NEEDED TO ASSEMBLE THE SOCCER TABLE

## STEP 8

